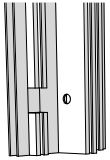


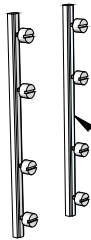
IG-48x118-TV Setup Instructions



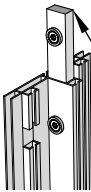
IG-48x118-TV Setup Instructions



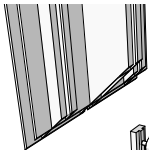
1.) Place frame flat on the floor paring like numbers. Assemble sides with large center connector bar & small connector bars in center & outside channels respectively & tighten screws. Be sure to connect Barrel Electrical Connectors at each respective joint.



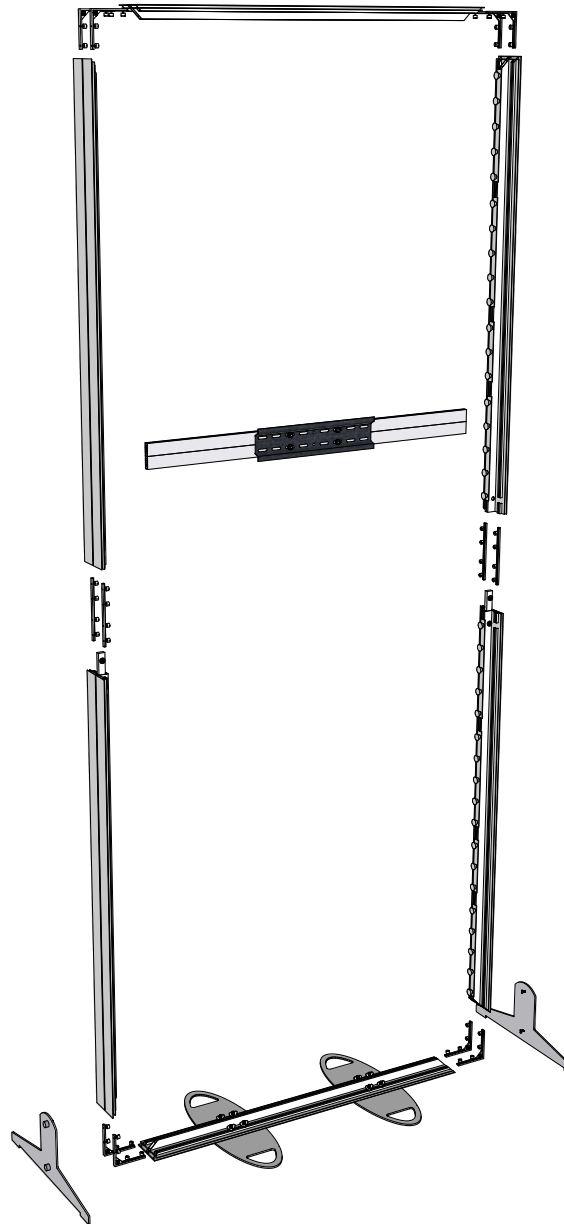
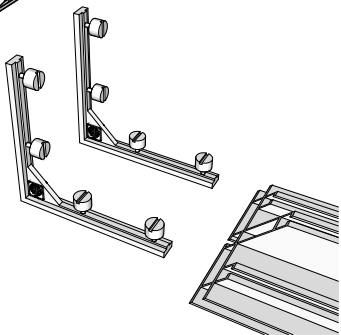
• Small connector bars



• Large connector bar



2.) Assemble corners using corner brackets inserted into outside channels of frame. Tighten thumb screws.

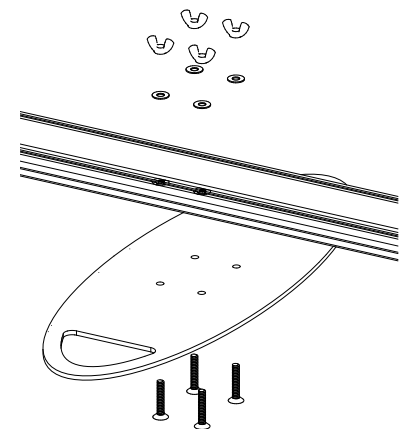


3.) Install Monitor Bracket support bars into Front channel of frame and tighten Tension Lock



• Turn Tension Lock to the right with T-30 tool to tighten lock into channel

4.) Assemble base plates to the bottom of the frame using the supplied bolts, washers, and wingnuts. Stand the frame up.



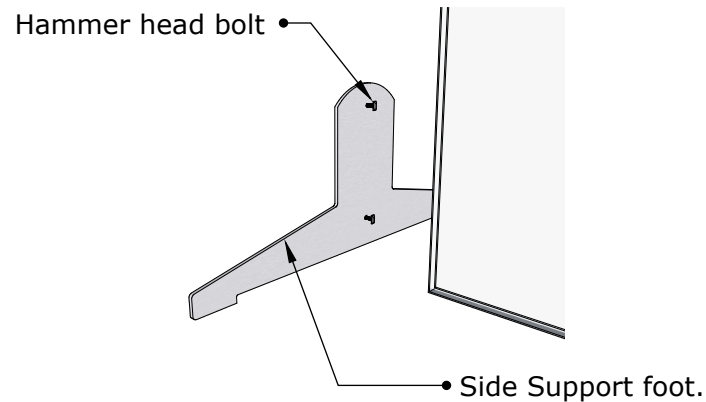
IG-48x118-TV Setup Instructions

5.) Place SEG Graphic on the front of the frame following the instructions on the last page of the instruction manual.

6.) Adjust TV Bracket if necessary to align with slits in the front graphic. Place SEG Graphic on the Back of the frame following the instructions on the last page of the instruction manual.

7.) Install side support feet on onto side of frame by inserting the hammer head bolt into the center groove and tighten the knurled thumb screw.

NOTE: FOR STABILITY SIDE SUPPORT FEET MUST BE IN PLACE.



Silicone Edge Graphics (SEG)

Installation Instructions into hardware

What are Silicone Edge Graphics (SEG)?

SEG are dye-sublimation fabric graphics with silicone strips sewn along the underside of the fabric's edge. SEG frames have grooves along their perimeter designed to snugly hold the silicone strips so the fabric can be stretched across the frame for a drum-tight fit.



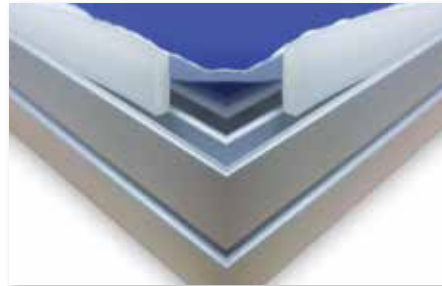
We recommend laying the frame on the floor, then draping the fabric graphic on top.

The following procedure ensures the silicone edge will be placed evenly over the entire frame and NOT STRETCH or GROW at the corners. Once all the edges have been secured, you should have a taut fit with a smooth flat finish.

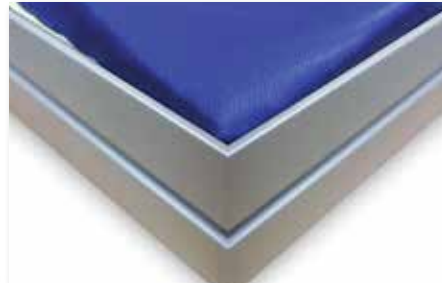
1: With Clean Hands,

Press SEG silicone edge first, into the corners of the frame.

INCORRECT WAY



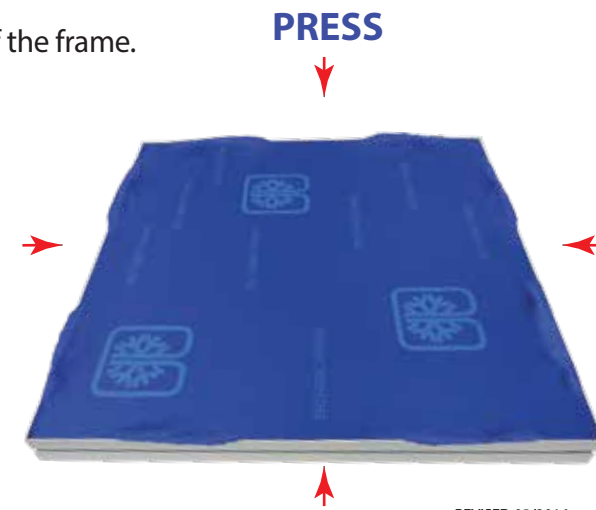
CORRECT WAY



2: Working in Centers.

Go back and press the silicone edge into the center - on each side of the frame.

EXAMPLE: A 20"x20" fabric/frame would be pressed in 8 locations.



REVISED 03/2016

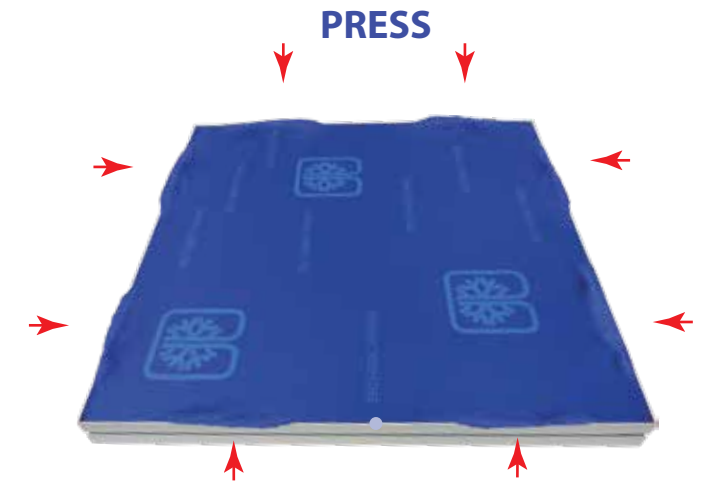
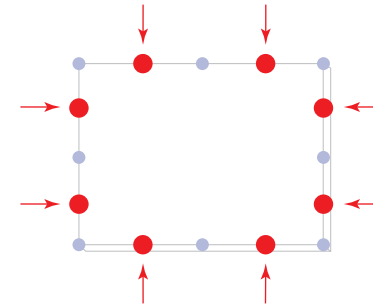
Cont'd.

3: Working in Centers again,

Go back and press the silicone edge once again on each side previous center, on all 4 sides.

Repeat this process, (WORKING IN CENTERS) until the SEG fabric's edge is pressed approximately every 6 inches apart.

EXAMPLE: A 8' x 8' frame (using this procedure) will have been pressed/tucked 15 times (not including corners) on each side of the frame.



4: After all has been pressed into your frame using

this procedure, lightly tap your forefinger to smooth fabric between the tucks.



CARE INSTRUCTIONS

Due to the fine quality, smoothness and weave of the fabric, great care must be taken to extend the life of your SEG fabric graphics.

We recommend very loosely folding your graphic, making sure there are no hard creases or folds or that the fabric doesn't catch on sharp objects.

Store in a clean bag.
A plastic bag or pillow case is ideal.
Graphics can also be spot cleaned with a damp cloth.

To wash entire graphic, use a commercial size front loading washing machine on gentle cycle with cool water. Do NOT dry clean.

You can also gently iron the back side using the Polyester setting of your iron.



REVISED 04/2016